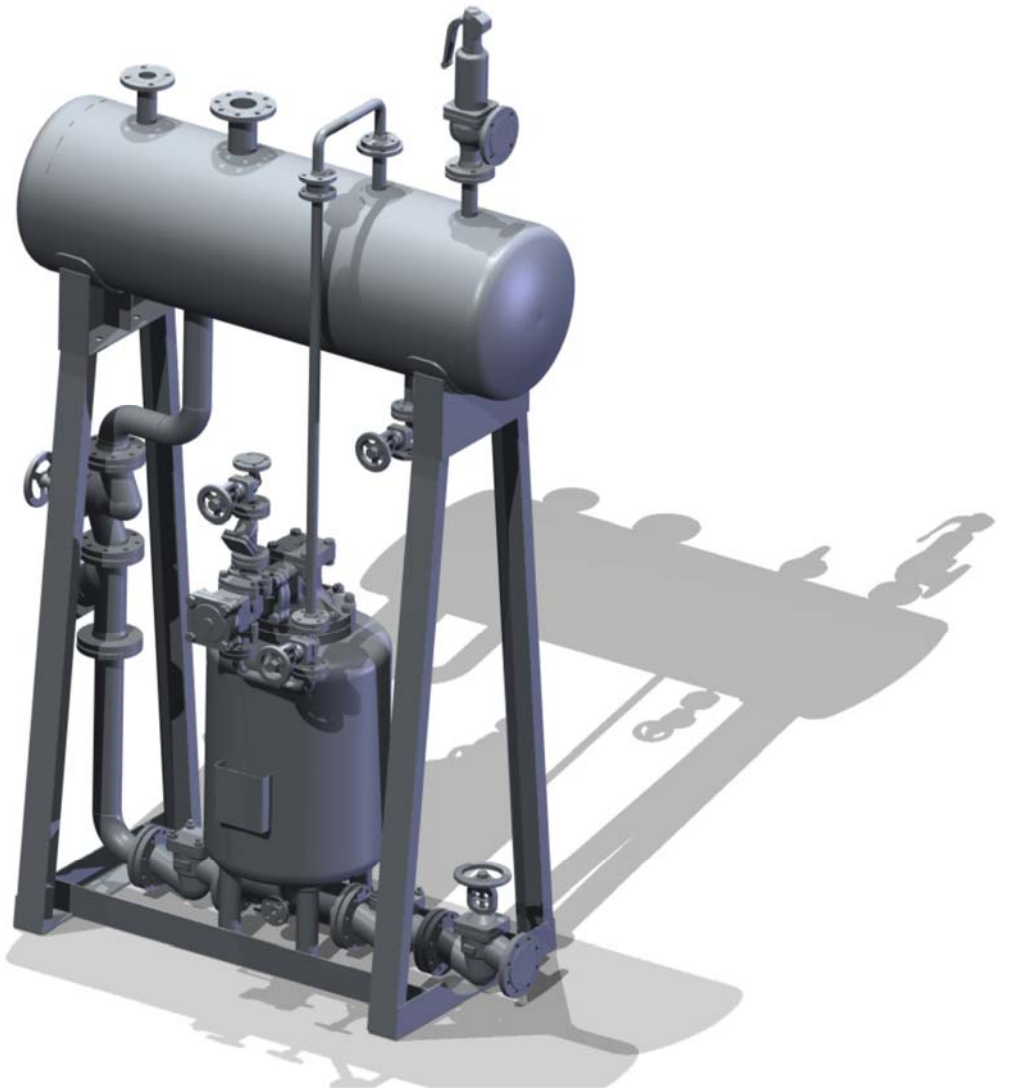




**Condensate  
Lift Systems**

---

## **Condensate Modules**



**Pressure powered condensate pumps.**

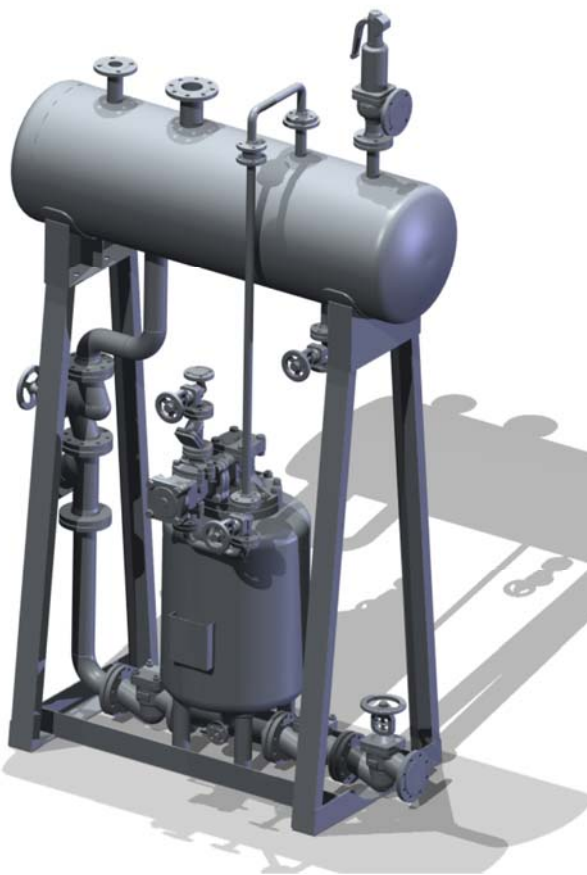
---

**VOIGT** Industrial Systems &  
Solutions GmbH

**Condensate Lift Systems  
Engineering  
Planning  
Software Development**

---

## Fully automatic condensate modules



### The condensate module.

All from one source, set up with forklift, connect with the systems and forget.

Condensate modules are complete condensate stations ready for installation, including all necessary valves and piping. Mounting and planning costs and efforts are considerably reduced.

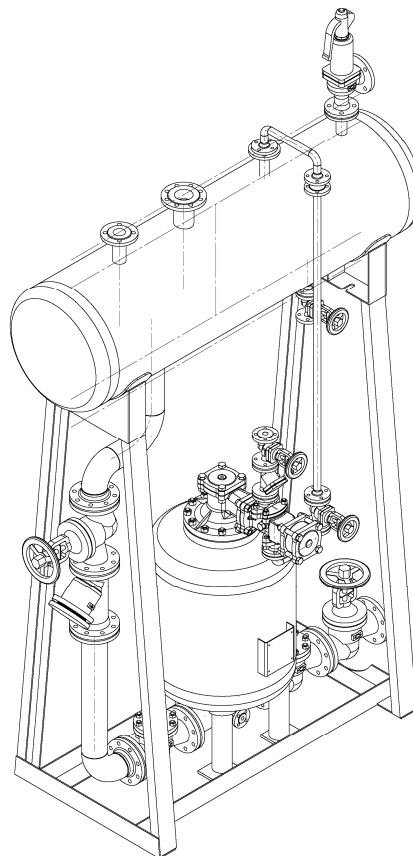
**Simple and easy!**

We also consider the specifications of our customer. The nozzles of the collecting tank are arbitrary and the collecting tank is not necessarily mounted above the VOIGT-Lifter.

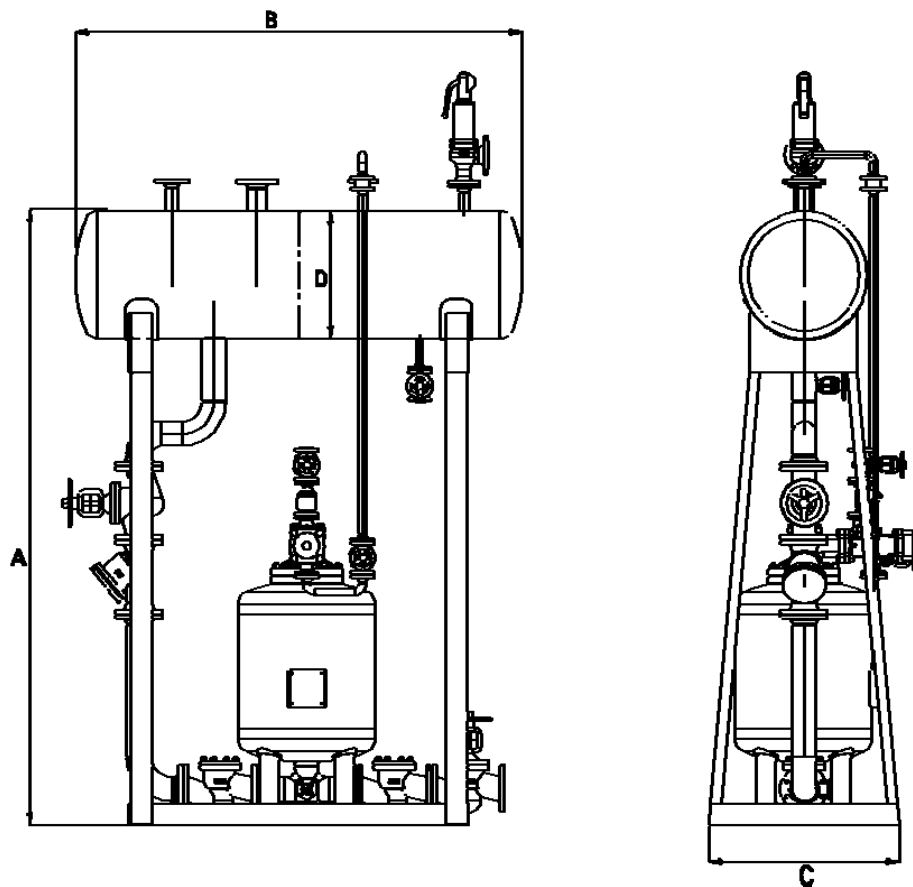
All components can be delivered as single parts as well.

The collecting tank can also be designed as flash tank or mixing cooler or suchlike.

**No technical boundaries!**



Fully automatic condensate modules



Data

Type	01	02	03	04	05	06	07	08
Capacity [l/min] (t/h)	20 (1,2)	33 (2,0)	50 (3,0)	83 (5,0)	125 (7,5)	167 (10,0)	208 (12,5)	250 (15,0)
Volume header [l]	80	100	150	200	300	400	500	800
A [mm]	1750	1900	2100	2250	2500	2550	2900	3200
B [mm]	800	800	1200	1200	1500	1700	1800	2100
C [mm]	570	640	690	765	860	910	1040	1200
D [mm]	350	400	400	450	500	550	600	700
<b>Connections DIN / ANSI</b>								
<b>Valves</b>								
Medium	50 / 2"			80 / 3"			100 / 4"	150 / 6"
Motive medium	25 / 1"							
<b>Piping</b>								
Medium	50 / 2"			80 / 3"			100 / 4"	150 / 6"
Motive medium	25 / 1"							



# Condensate Systems

## Condensate Lifter

---

### Further information and contact

We issued some important planning advices for you.

If you have further questions you may find all answers in our FAQ.

For all other information please contact us via phone +49 8684 2093744 or via

E-Mail [info@kondensat.info](mailto:info@kondensat.info)!

## VOIGT Industrial Systems & Solutions GmbH

Leopoldstrasse 244  
80807 Munich  
Germany

Sitz der Gesellschaft: München,  
Amtsgericht München, HRB 194666  
St-Nr. 143/190/81187

USt-IdNr./EU-VAT-No.: DE280012855

Geschäftsführer / Managing Director:  
Franziska Baumgartner, Stephan Voigt

Phone +49 89 208039 180  
Fax +49 89 208039 178

<http://www.condensate-lift.com>  
Mail: [info@kondensat.info](mailto:info@kondensat.info)



---

The information in this brochure is in conformity with our current state of knowledge and should inform about our products and applications.  
It doesn't have the function to assure certain properties for concrete cases of operation.